



INSTRUCTION MANUAL

40CM PEDESTAL FAN Product Code: 749040

AC220-240V 50Hz 50W



**BEFORE OPERATING THIS PRODUCT,
PLEASE READ THESE INSTRUCTIONS.**

BEFORE FIRST USE

Please read and follow all the instructions in this "Use and Care" manual even if you feel you are familiar with the products, and keep it handy for future reference.

Your attention is drawn particularly to the sections concerning "IMPORTANT SAFEGUARDS".

IMPORTANT SAFEGUARDS

PLEASE READ ALL INSTRUCTIONS CAREFULLY BEFORE USING THE PRODUCT.

When using this electrical appliance, the following basic safety precautions should always be followed.

WARNING- to reduce the risk of fire, electric shock or injury to persons or property:

- Always operate this product from a power source of the same voltage, frequency and rating as indicated on the product identification plate.
- Do not use this fan with any solid state speed control device to reduce the risk of electric shock.
- This appliance is not intended for use by persons (including children) with reduced physical, sensory, mental capabilities or lack of experience and knowledge, unless they have been given supervision or instructions concerning use of the appliance by a person responsible for their safety.
- Children should be supervised to ensure that they do not play with the appliance.
- Do not leave the fan running unattended.
- Do not operate the product if it is dropped, damaged or showing signs of product malfunction. Do not operate the product with a damaged plug or cord. Return the complete product to the place of purchase for inspection, refund or replacement.
- If it is not working properly, contact a qualified electrician or service centre for examination and repair, never try to dismantle it by yourself.
- Do not immerse or expose the product or flexible cord to rain, moisture or any other liquid.
- This product should not be used in the immediate vicinity of water, such as bathtubs,

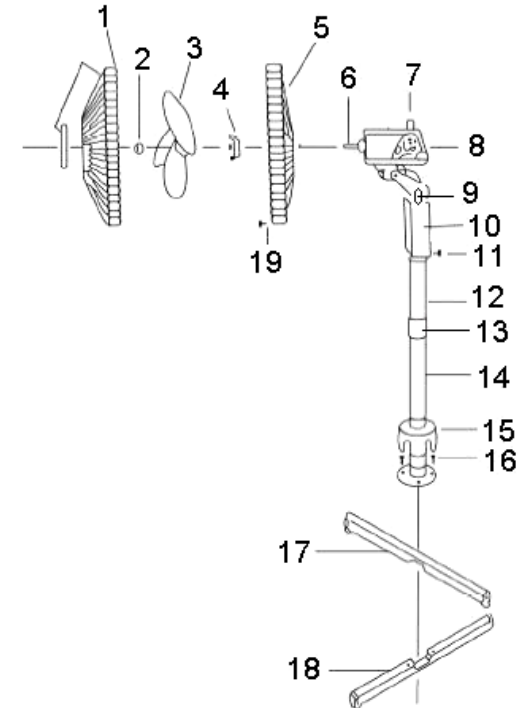
washbowls, swimming pools etc. where the likelihood of immersion or splashing could occur.

- Never install the unit where it could be subject to:
 - Heat sources such as radiators, heat registers, stoves or other products that produce heat
 - Direct sunlight
 - Mechanical vibration or shock
 - Excessive dust
 - Lack of ventilation, such as a cabinet or bookcase
 - Uneven surface
- Switch off and unplug from outlet when the product is not in use, before assembling or disassembling parts and before cleaning. Fully assemble the fan before switching on.
- Avoid contact with moving parts. Do not insert any body parts (e.g. finger) or objects through the grill when the fan is operating.
- Do not cover the grill, or operate in close proximity to curtains, etc.
- This product is intended for normal domestic / household use only.
- Always disconnect the fan when moving it from one location to another.
- The use of attachments or accessories not recommended or sold by the product distributor may cause personal or property hazards or injuries.
- Be sure fan is on a stable surface when operating to avoid overturning.
- Do not immerse in water.
- If the supply cord is damaged, it must be replaced by the manufacturer or its service agent, or similarly qualified person, in order to avoid a hazard.

READ AND SAVE THESE INSTRUCTIONS FOR FUTURE REFERENCE

FEATURES OF THIS PRODUCT

1. Front Grill
2. Blade Cap
3. Blade
4. Plastic Mounting Nut
5. Rear Grille
6. Motor Shaft
7. Oscillating Knob
8. Motor Housing
9. Neck Screw
10. Switch Box
11. Set Screw
12. Inner Tube
13. Height Adjustment Collar
14. Outer Tube
15. Base Decorative Cap
16. Screw
17. Cross bar A
18. Cross bar B
19. Screw



PRODUCT ASSEMBLY

ASSEMBLY OF BASE

- Firstly, loosen and remove the four screws from the bars. Then cross bar A and bar B so that they interlock.

- Be sure to align the four holes in the bars with those on the flange of the Outer Tube. Secure the flange to the bars with the four screws.
- Loosen and remove the Height Adjustment Collar from the top of the Inner Tube. Slide the Base Decorative Cap down over the assembly.
- Replace the Height Adjustment Collar on top of the Inner Tube. Pull the Inner Tube out from the Outer Tube to adjust the tube to the desired height and tighten the collar.
- If necessary, slightly loosen the Set Screw by turning it anticlockwise. Slide the Switch Box down over the Inner Tube and tighten the Set Screw. Make sure the Set Screw is tightly secured.

ASSEMBLY OF BLADE AND GRILL

- Unscrew the plastic mounting nut from the front of the motor housing by rotating it anticlockwise.
- Position the rear grill against the front of the motor housing with the handle uppermost, ensuring that the locating pegs on the motor housing are engaged correctly in the holes of the rear grille.
- Tighten the Rear Grill Mounting Nut clockwise. **DO NOT OVERTIGHTEN IT.**
- Push the fan blade onto the motor shaft, locating the slot at the back of the blade on the drive pin that passes through the motor shaft.
- Tighten the blade cap by turning it anticlockwise.
- Position the front grill against the rear grill so that the holes in the rims that accept the small nut and bolt are in line. Insert the bolt through the holes and screw on the nut. Do not fully tighten at the stage.
- Push the grill retaining clips into position ensuring that they engage correctly on the rim of the grill.
- Fully tighten the small nut and bolt that passes through the rim of the grill.

OPERATION OF THE PRODUCT

- Place your fan on a level and dry surface.

- Plug the fan in to a mains socket. Select the desired speed setting. There are 4 settings – 0 (off), 1 (low), 2 (medium) and 3 (high).
- The fan can be set to oscillate by pushing Oscillating Knob downwards. To stop the oscillating feature, pull-up the Oscillation Knob.
- To adjust the tilt angle of fan head, loosen the neck screw, swivel the fan to the desired angle and then re-tighten the screw. Caution: The fan should always be switched off when making this adjustment.

CLEANING

- Switch off and unplug from the power supply before assembling or disassembling and cleaning.
- Keep the air vents at the rear of the main body free from dust or fluff– use a vacuum cleaner to remove these when necessary. Do not probe any opening to remove fluff.
- Fan component parts should be cleaned using mild soap and a damp cloth or sponge. Do not allow any water or other liquid to enter the motor housing.
- Thoroughly remove soap film with clean water.

CAUTION: Do not use harsh detergents, chemical cleaners or solvents as they may damage the surface finish of the fan components.

Backed by Nero's 12 month replacement guarantee

Imported By R Weatherdon & Co Pty Ltd

www.weatherdon.com.au

Made in China